

) MoBass (



MB-250.4D

MB-350.4D

CLASS D 4-CHANNEL FULL RANGE CAR AMPLIFIER

OWNER`S MANUAL

OWNER`S MANUAL

INTRODUCTION

Thank you for your purchase, and welcome to MOBASS ! In order to enjoy the better service from us, please keep your original invoice well and complete. You'd better post the copy of back to the appointed service agent of MOBASS so that you may get more technical support.

ACCESSORY LIST

1. User Manual	1pc
2. Amplifier	1pc
3. Mounting Screw	4pcs

SPECIFICATIONS

MODEL	MB-250.4D	MB-350.4D
N-power Output @ 4 Ohm	235W*4CH	275W*4CH
N-power Output @ 2 Ohm	350W*4CH	400W*4CH
N-power Output @ 4 Ohm	500W*2CH (BRIDGED)	700W*2CH (BRIDGED)
Frequency Response	20Hz - 20kHz	
Input Senitivity	0.05 - 8V	
Signal To Noise Ratio	≥ 90dB	
T.H.D.	≤ 1%	
Low Pass Cross Frequency	20HZ-8KHZ	
Bass Boost	0dB - 12dB	
Minimum Impedance	2 Ohm	

OWNER'S MANUAL

INTERFERENCE

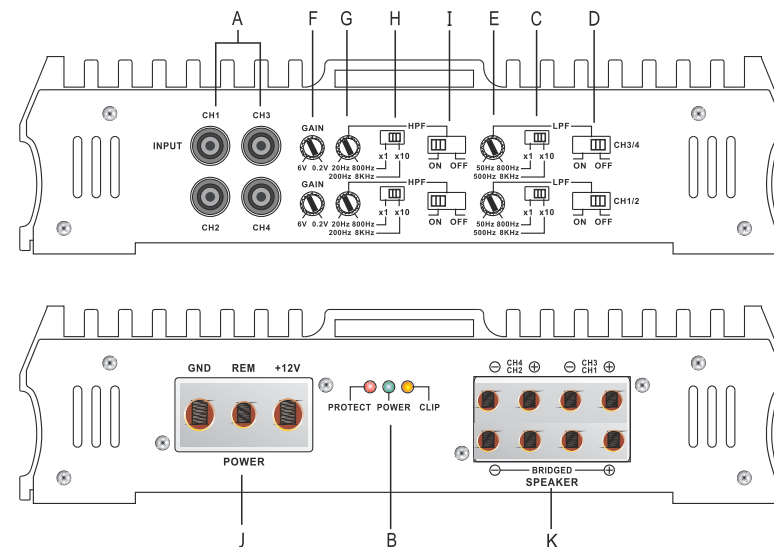
All cables can source and create interference. The power cable and Cinch/RCA audio cable are very prone to interference; the remote cables are less prone. There is often interference caused by the generator (piping), ignition (cracking) or other car electronic parts. Most of these problems can be eliminated by correct and careful cabling. In doing so, here are the following guidelines:

- Use only a screened audio cable for the wiring between "low level in" of the amplifier and RCA or DIN output of the radio.
- Lay the signal, speaker and power cables separately with enough distance from one another and also from each other car cable. If not possible, you can lay the circuit and ground cable together with the serial cables. Audio and speaker cable should be as far away from these as possible. The REM cable to the automatic antenna output of the radio can be laid together with the signal cables.
- Avoid ground loops by laying the ground wiring of all components to a center point in a star-like way. You can find the best central point in measuring the voltage directly at the battery. Now compare this voltage value with the chosen ground point and the (+) terminal of the amplifier. If measured voltage is only slightly different, you've found the correct central. Otherwise you have to look for another point. You should measure with the ignition point for earth being switched on and additionally switched on consumers (rear window heating and light).
- If there are pickups from external electrical sources into the speaker cables, divide the core leads and twist them together.
- If there are noises from the car electrics, add an interference suppression choke into the power wiring.
- If there are humming noises, use thicker ground cables or add further ground cables to the chassis.
- If there are humming noises, use thicker ground cables or add further ground cables to the chassis.
- To reduce contact resistance and bad and loose contacts, please solder the cable ends or use multi core cable ends, spade terminals or others. Gold Plated spade terminal are free of corrosion and have the lowest contact resistance.
- Should all these measures be without any success, the use of a ground loop isolator may solve the problem.

OWNER'S MANUAL

PANEL CONTROLS AND FEATURES

Fig1



A. AUDIO SIGNAL INPUT

Cables to connect your signal with RCA input of the amplifier.

B. INDICATOR LIGHT

Green light is power indicator light work;
The red light is to protect the lamp; When the output signal is distorted, the CLIP indicator light will light.

C. LPF TRANSFER SWITCHHH:

LPF frequency range X1 (50Hz-800Hz) and X10(500Hz-8kHz)

D. LPF SWITCHHH

Select ON, LPF circuit has effect effect ;
Select OFF, LPF OFF has no effect.

E. LOW PASS CROSS FREQUENCY

Controls the frequency of the power amplifier of low frequency reduction to common denominator is 50Hz-800Hz and 500Hz-8KHz.

F. GAIN (INPUT LEVEL) CONTROLS

Adjust sensitivity of the power amplifier

The minimum sensitivity: 200mV

The maximum sensitivity: 6V

G. HIGH PASS CROSS FREQUENCY

Controls the frequency of the power amplifier of high frequency reduction to common denominator is 20Hz-800Hz and 200Hz-8KHz.

H. HPF TRANSFER SWITCHHH:

HPF frequency range X1 (200Hz-800Hz) and X10(200Hz-8kHz)

I. HPF SWITCHHH

Select ON, HPF circuit has effect effect ;
Select OFF, HPF OFF has no effect.

J. POWER SUPPLY TERMINALS

POWER (GND): Must be connected to the chassis of your vehicle with a perfect electrical connection (remove some paint to reveal bare metal if necessary) and with the ground cable.

+12V: connect the +12V power supply of car battery with the power cable.

K. SPEAKER CONNECTIONS TERMINAL

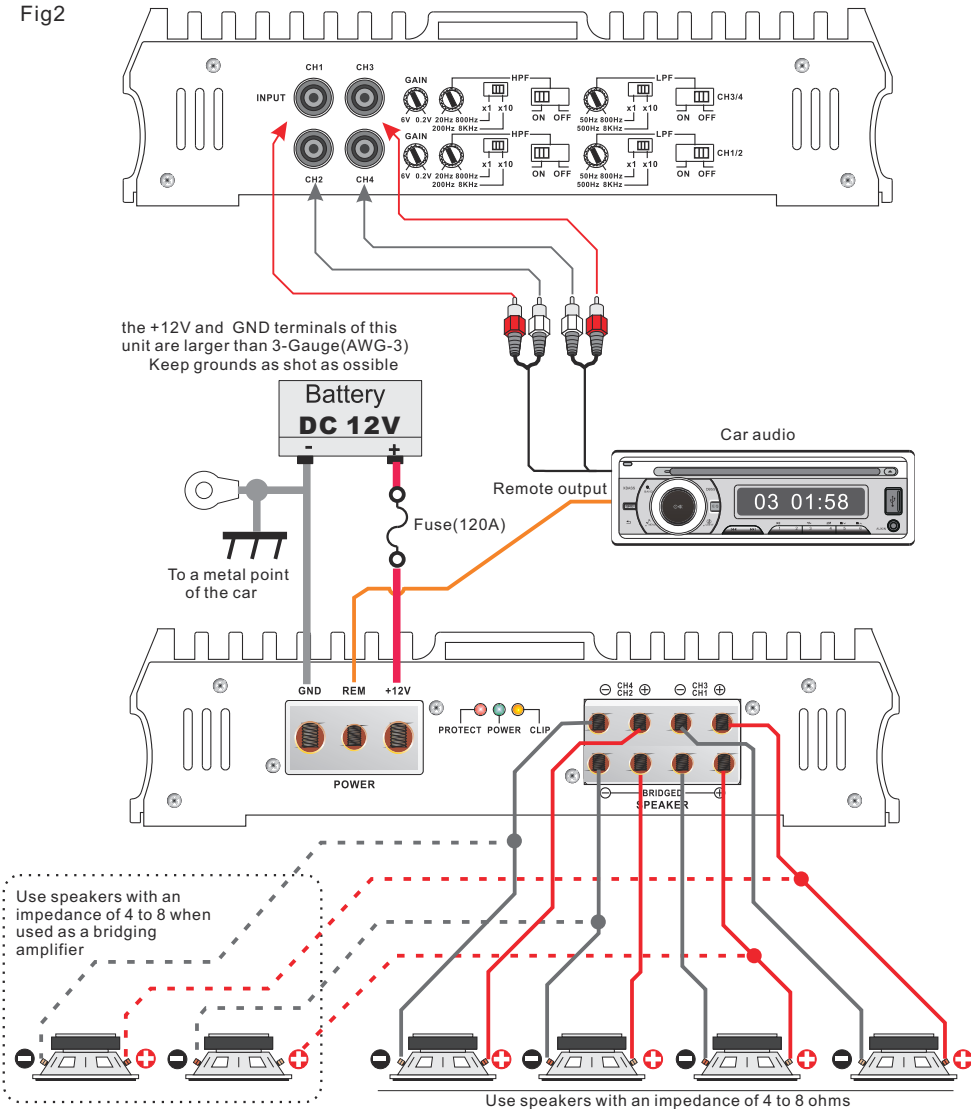
Connect speaker according to silk screen marked position.

OWNER'S MANUAL

WIRING DIAGRAM

When routing cables, keep input signal cables away from power cables and speaker wires if your car audio has only speaker-level outputs, you must purchase a speaker-level-to-line-level adapter, commonly sold as an accessory.

Fig2



OWNER'S MANUAL

GND(-) = GROUND CONNECTION

Connect the GND terminal to the chassis ground of your car and take care of best electric and mechanic contact. In doing so, drill a hole into the car chassis near the amplifier then remove color, dirt or any other substance from the ground point . Thereafter fasten the cable end with added ring terminal by using a screw. Ensure that the ground connection is as short as possible and that the cable diameter is sufficient (min 4mm"). Route the ground cables from the radio and all other equipment parts, like equalizer, active crossover network or other amplifiers, to the same ground point.

HOW TO PROCEED IN CASE OF FAULTS

No Function:

- The connection cable is not connected correctly (=terminal +12V/GND/REM). Ensure that all connections and mechanic contact and that the jacket has been removed. The fuse is defective-pay attention to the correct value of a new fuse!

No Sound :

- Speaker cable or speaker plug are not connected correctly.

No Sound / Red LED Protection Shines :

- The plus and minus wires of the speaker cable have contact, thus eliminate the short circuit. If you use a 2 Ohm speaker in stereo mode, a 4Ohm speaker in bridge mode or tri-mode and the set is overloaded, then turn the gain control to "min" until the operation is free of trouble.

Poor Sound Quality (Distortions) :

- The speakers are overloaded ,therefore turn down the volume level and check the volume control positions.

No Stereo Sound And A Weak Bass :

- Speaker cables (+) and (-) are mixed up, unit wired out of phase.

OWNER'S MANUAL

OPERATION

- After the amplifier has been installed and all connections have been made carefully and securely, turn the radio on so that the amplifier is switched on automatically. After a short power-on period, the amplifier reaches its full performance.
- Now turn up the volume slowly using the volume control of the radio. If there is no sound or only a distorted replay, switch off the radio immediately
 - the amplifier will switch off automatically
 - check if all connections have been made correctly.

POWER LED INDICATOR

After the orderly connection of the three power terminals, the LED indicator shines green and goes out with off.

PROTECT = LED PROTECTION INDICATOR

This set is equipped with an overload protection. immediately upon overloading (due to much increased temperature) the overload protection is activated, and the red LED indicator is shining. Through this the amplifier is protected against damage. In case of thermal protection a certain short cooling time must be allowed after which the amplifier automatically resumes operation.

LEVEL CONTROL

- The input level control allows the system to work well within a wide range of output level. Choose the adjustment in the way that you achieve a sound most possibly without any distortion. As a guideline the following procedure is recommended:
 - If you use several amplifier, the adjustment has to be made for each set separately tune in the volume of your car radio to 2/3 of the maximum volume. Now turn the gain control of the amplifier from "Min" to "Max" direction until you can hear distortions. Then turn the level control a little back to "Min". The gain control adjustment is finished now.

ATTENTION: If you use 1 Ohm speakers the overload protection is triggered out, turn the gain control to "Min" direction, until the operation is free of trouble.

BASS BOOST CONTROLS

This amplifier has Bass controls for switching the boost 0dB or 12dB.

+12V = POWER SUPPLY

Connect the BATT terminal to the positive pole of the battery with a lead cable and add a fuse into the power cable in a distance of not more than 30cm from the battery. The lead cable's diameter should be at least 4 mm² for a length of 3 m and 6 mm² for a length of 6 m.

OWNER'S MANUAL

PRECAUTIONS

- This unit is designed for negative ground 12-14.50 Volts(DC) operation only.
- Use speakers with an impedance of 2Ω or 4Ω
- Avoid installing the unit where:
 - It would be subject to high temperatures, such as from direct sunlight or hot air from the heater.
 - It would be exposed to rain or moisture.
 - It would be subject to dust or dirt.
- If your car is parked in direct sunlight and there is a considerable rise in temperature inside the car, allow the unit to cool off before operation.
- When installing the unit horizontally, be sure not to cover the heatsink fins with the floor carpet.
- If this unit is placed too close to the car radio, an interference may occur. In this case, separate the amplifier from the car radio.
- This power amplifier employs a protection circuit to protect the transistors and speakers if the amplifier malfunctions.
- Do not attempt to test the protection circuits by covering the heatsink or connecting improper loads.
- Do not use the unit with a weak auto battery as its optimum performance depends on a normal battery supply voltage.
- For safety reasons, keep the volume of your car audio system moderate so that you can still hear normal traffic sounds outside your car.

PROTECTION CIRCUIT

This amplifier is provided with a protection circuit which operates in the following cases when:

- the unit is overheated.
- the speaker terminals are short circuited.

OWNER'S MANUAL

WIRING INSTRUCTIONS

POWER CONNECTION

The battery terminal (BATT) must be connected directly to the positive terminal of the vehicle battery to provide an adequate voltage source and minimize noise. Connecting the battery terminal lead to any other point (such as the fuse block) will reduce the power output and may cause noise and distortion. Use only #12 gauge or thicker (smaller gauge #) wire for this lead and connect it to the terminal of the battery after all other wiring is completed.

GROUND CONNECTION

The ground terminal (GND) connection is also critical to the correct operation of the amplifier. Use a wire of the same gauge as the power connection (#8 or thicker) and connect it between the ground terminal (GND) of the amplifier and a metal part of the vehicle close to the mounting location. This wire should be as short as possible and any paint or rust at the grounding point should be scraped away to provide a clean metal surface to which the end of the ground wire can be screwed or bolted.

REMOTE TURN-ON CONNECTION

The amplifier is turned on by applying +12V to the remote turn-on terminal (REM). The wire lead to this terminal should be connected to the "Auto-Antenna" lead from the car stereo which will provide the +12V only when the car stereo is turned on. If the car stereo does not provide an "Auto-Antenna" lead, the remote turn-on lead may be wired to an "Accessory" or "Radio" terminal in the car's fuse block. This will turn the amplifier on and off with the ignition key, regardless of whether the car stereo is on or off. The remote turn on lead does not carry large currents. So #16 gauge wire may be used for this application.

SPEAKER CONNECTIONS

Depending on the type and number of speakers used with the amplifier wire them to the speaker terminals as per the appropriate wiring diagram. For most applications #18 gauge wire should be used for the speaker leads but in no case thinner than #16 gauge. For leads in excess of 10 feet #12 gauge is recommended. When wiring the speakers, pay careful attention to the polarity of the terminals on the speakers and make certain they correspond to the polarity of the corresponding terminals on the amplifier. Do not ground any speaker leads to the chassis of the vehicle.

OWNER'S MANUAL

NOTES ON THE POWER SUPPLY

- Connect the +12V power input lead only after all other leads have been connected.
- Be sure to connect the ground wire of the unit securely to a metal part of the car.
- A loose connection may cause a malfunction of the amplifier.
- REM: The unit is turned on by applying +12 Volts to this terminal. This terminal does not draw heavy current like the tow Power Terminals so a thinner connecting wire is acceptable. Standard 18 GAUGE is fine and the standard color is red. If the radio is equipped with a Power Antenna control wire, it can drive this terminal. If the Power Antenna wire is already in use, you can still splice into it. With this method, the unit will turn on automatically with the radio.
- Use the power supply lead with a fuse attached whose value is the same as original fuse.
- Place the fuse in the power supply lead as close as possible to the car battery.
- During a full power operation, Maximum current will run through the system. Therefore, make sure that the leads to be connected to the +12V and GND terminals of the unit respectively must be larger than 18-Gauge (AWG.18). Bridged operation. If only mono signal is available, a "Y" adapter is required.