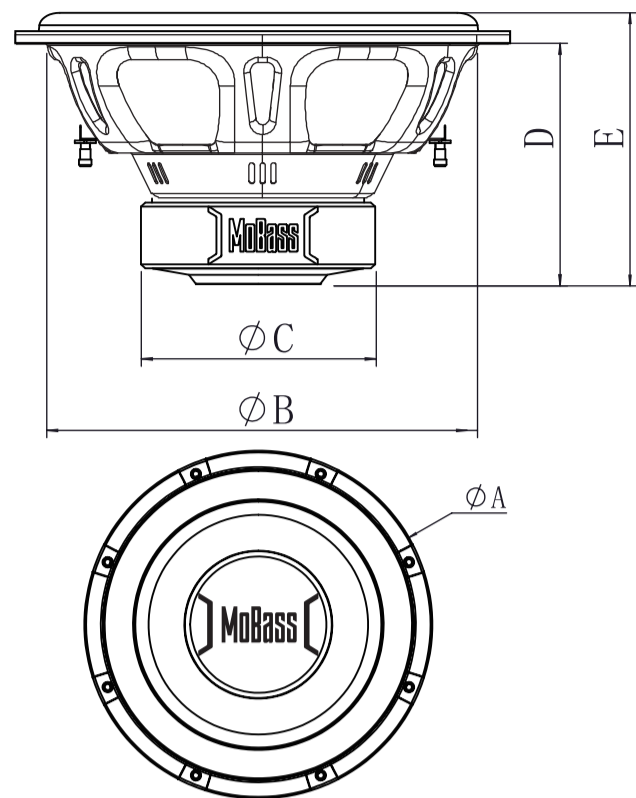


MoBass

MBW-2008
MBW-2510
MBW-2512
MBW-2515

Owner's Manual

Dimensions



| MODEL | A(mm) | B(mm) | C(mm) | D(mm) | E(mm) |
|----------|-------|-------|-------|-------|-------|
| MBW-2008 | 215 | 187 | 148 | 125 | 148 |
| MBW-2510 | 265 | 230 | 178 | 160 | 185 |
| MBW-2512 | 325 | 285 | 178 | 175 | 202 |
| MBW-2515 | 390 | 350 | 178 | 195 | 220 |

MoBass

MBW-2008
MBW-2510
MBW-2512
MBW-2515

Owner's Manual

Specifications

| General Data | | MBW-2008 | | MBW-2510 | | MBW-2512 | | MBW-2515 | |
|---|--------|----------|----------|----------|----------|----------|----------|----------|----------|
| | | D2 | D4 | D2 | D4 | D2 | D4 | D2 | D4 |
| Overall Dimensions | mm | 215*148 | | 265*185 | | 325*202 | | 390*220 | |
| Nominal Power Handling | W | 400 | | 750 | | 1500 | | | |
| Transient Power 10ms | W | 800 | | 1500 | | | | | |
| Sensitivity | dB | 81.7 | 82.5 | 83.6 | 82.5 | 85.8 | 85.7 | 88.1 | 88.1 |
| Frequency Response | Hz | | | | | | | | |
| Cone Material | | PAPER | | | | | | | |
| Net Weight | kg | 5.4 | | 10.5 | | 10.9 | | 11.05 | |
| Electrical Data | | Dual 2 | | Dual 4 | | Dual 2 | | Dual 4 | |
| Nominal Impedance | Ohm | Dual 2 | | Dual 4 | | Dual 2 | | Dual 4 | |
| DC Resistance | Ohm | Dual 3.8 | | Dual 6.4 | | Dual 3.8 | | Dual 6.4 | |
| Voice Coil and Magnet Parameters | | Dual 2 | | Dual 4 | | Dual 2 | | Dual 4 | |
| Voice Coil Diameter | mm | 50.8 | | 61.1 | | 61.1 | | | |
| Voice Coil Height | mm | 68 | | 85 | | 95 | | | |
| HE Magnetic Gap Height | mm | 10 | | 12 | | 12 | | | |
| Max.Linear Excursion | mm | 10 | | 14 | | 14 | | | |
| Voice Coil bobbin | | aluminum | | | | | | | |
| Voice Coil Wire | | Copper | | | | | | | |
| Number Of Layers | layers | 4L | | | | | | | |
| Magnet System Type | | Ferrite | | | | | | | |
| BL Product | N.A | 15.0 | 18.8 | 21.5 | 27.9 | 21.1 | 24.6 | 20.4 | 24.1 |
| T-S Parameters | | Dual 2 | | Dual 4 | | Dual 2 | | Dual 4 | |
| Suspension Compliance | Cms | 94.8 | 90.1 | 63.4 | 61.6 | 70.9 | 70.6 | 69.5 | 68.7 |
| Mechanical Q Factor | Qms | 5.24 | 5.15 | 5.81 | 5.11 | 5.04 | 5.26 | 5.56 | 5.53 |
| Electrical Q Factor | Qes | 0.59 | 0.60 | 0.49 | 0.57 | 0.52 | 0.61 | 0.62 | 0.71 |
| Total Q Factor | Qts | 0.53 | 0.54 | 0.45 | 0.52 | 0.47 | 0.54 | 0.58 | 0.63 |
| Moving Mass | Mms | 116 | 102 | 232 | 218 | 265 | 239 | 322 | 292 |
| Eq.Cas Air Load(liters) | VAS | 5.17 | 4.92 | 10.4 | 9.72 | 25.8 | 25.7 | 68.8 | 68.0 |
| Resonant Frequency | Fs | 47 | 52 | 41 | 43 | 36 | 38 | 33 | 35 |
| Effective Piston Area(CM ²) | SD | 19.6 | | 33.9 | | 50 | | 83 | |
| Connection: | | Series | Parallel | Series | Parallel | Series | Parallel | Series | Parallel |

