

MoBass

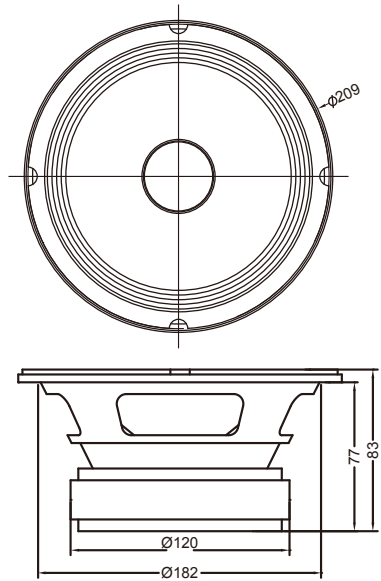
MB-080 USER MANUAL

MB-080
8 Inch Midrange Speaker
1.2" Voice coil, 4 Ω



SPECIFICATIONS

General Data		Unit	Dimensions
Overall Dimensions	209*83	mm	
Nominal Power Handling	100	W	
Transient Power 10ms	200	W	
Sensitivity	91.4	dB	
Frequency Response	84-10K	Hz	
Cone Material	paper		
Net Weight	1.9	kg	
Electrical Data			
Nominal Impedance	4	Ohm	
DC Resistance	3.8	Ohm	
Voice Coil and Magnet Parameters			
Voice Coil Diameter	30.5	mm	
Voice Coil Height	8.8	mm	
HE Magnetic Gap Height	5	mm	
Max.Linear Excursion	1.9	mm	
Voice Coil bobbin	Kapton		
Voice Coil Wire	CCAW		
Number Of Layers	2	layers	
Magnet System Type	High Flux Ferrit		
BL Product	4.51	N.A	
T-S Parameters			
Suspension Compliance	Cms	0.28	
Mechanical Q Factor	Qms	5.25	
Electrical Q Factor	Qes	1.21	
Total Q Factor	Qts	0.98	
Moving Mass	Mms	12.57	
Eq.Cas Air Load(liters)	VAS	18.42	Liter
Resonant Frequency	Fs	84	Hz
Effective Piston Area	SD	213.8	cm ²



FOR REFERENCE ONLY

